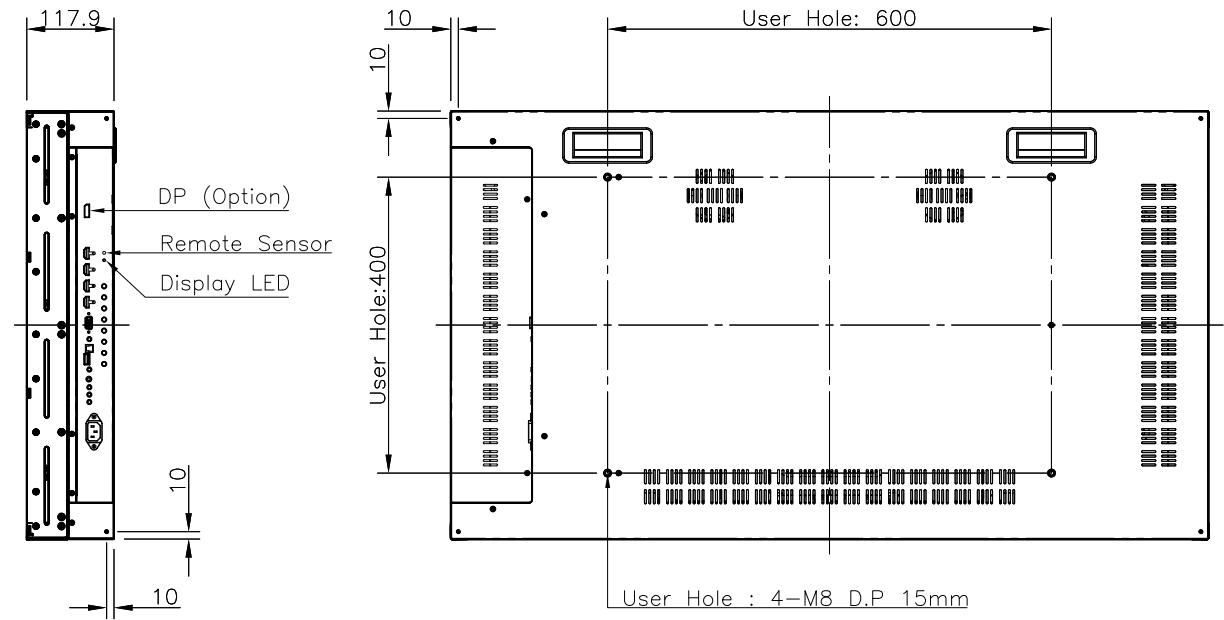
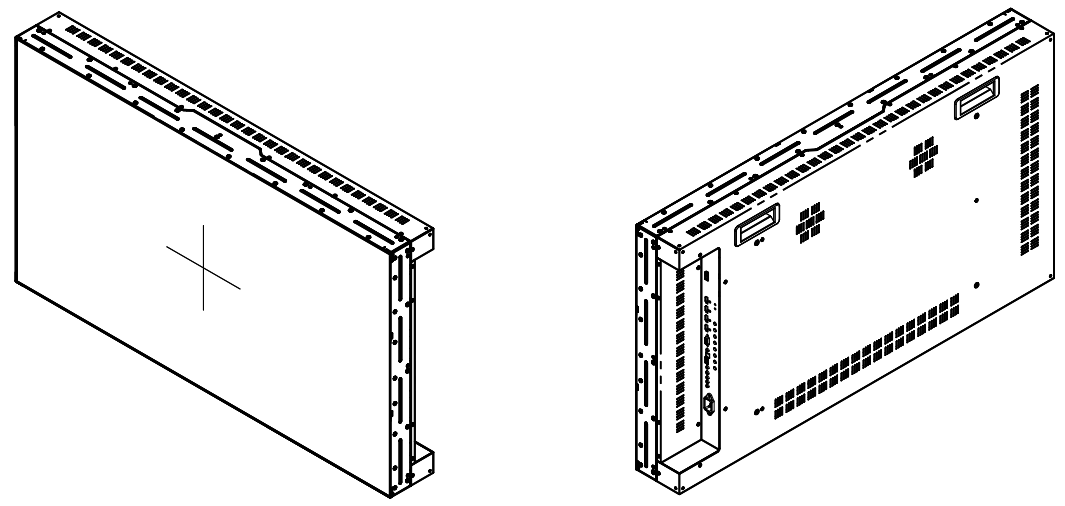
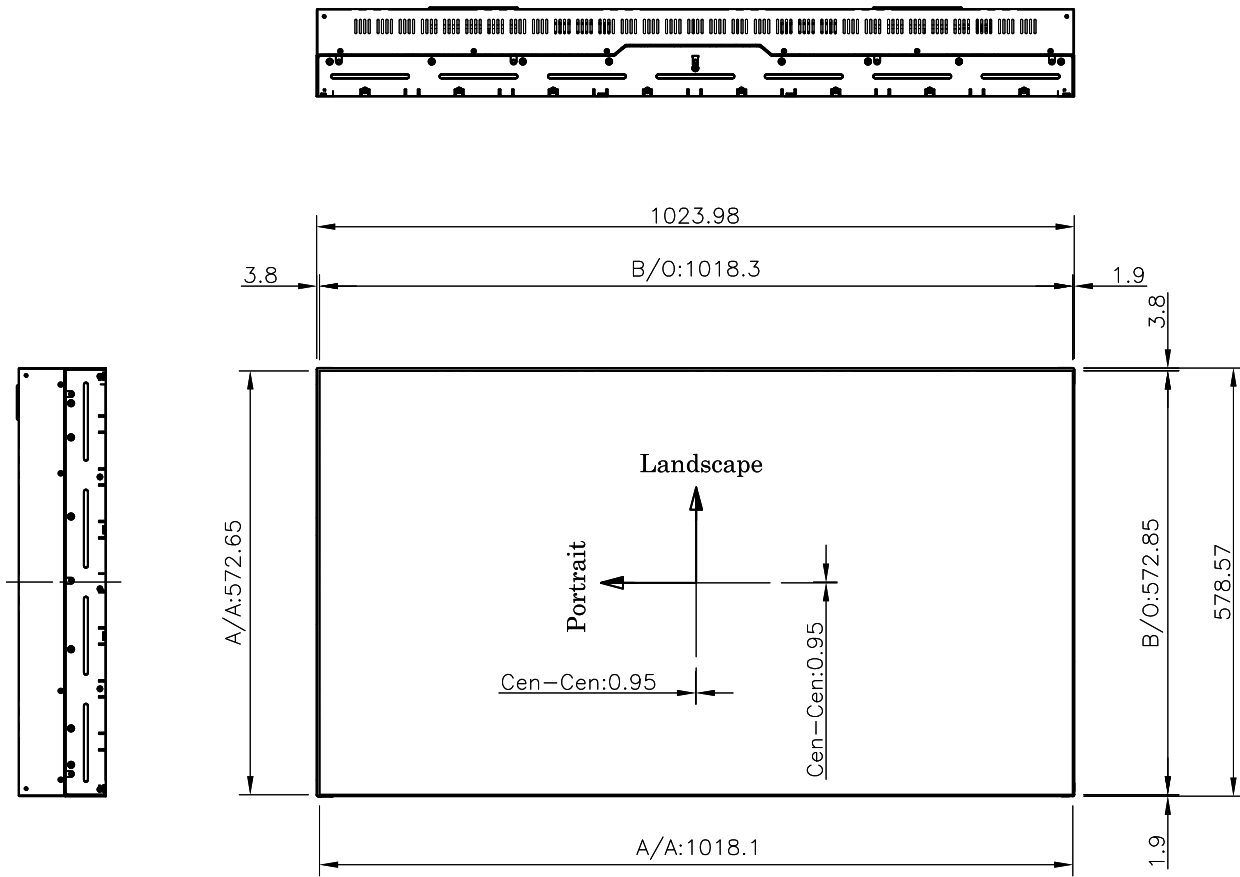


This drawing is the property of HYUNDAI IT CO.,LTD. and should not be disclosed to any third party without prior permission of HYUNDAI IT CO.,LTD..

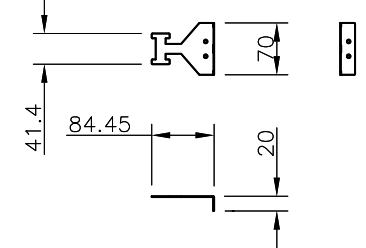
REV. NO		REV. HISTORY	LTR	ECO NO	DATE	APPR'L
DWG	PART					
00	00	INITIAL RELEASE	-	-	-	-

① D46DFN Display

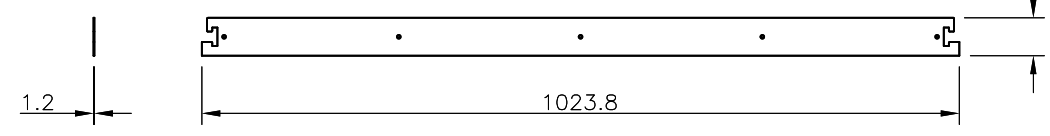


- NOTES,**
- LCD Panel : 46" SNB
 - Material : E.G.I
 - Color : Black

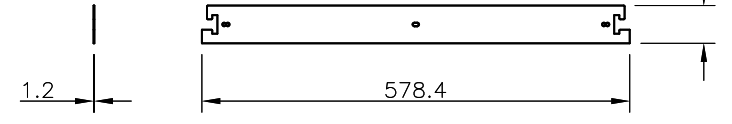
②-3 Muiti Brkt Corner & Screw set < Multi Display >
(Brkt-2Ea / M4 Screw(L=8- 28Ea))



②-1 Muiti Brkt Hor < Multi Display >
(Brkt-2Ea)



②-2 Muiti Brkt Ver < Multi Display >
(Brkt-2Ea)



DRAWN	PLANNED	CHECKED	APPROVED	UNLESS OTHERWISE SPECIFIED ALL DIMENSION ARE IN MILLIMETERS	ANGLE 3rd.	TITLE : D46DFN EXTERIOR VIEW	UNIT : mm
S.W.SEO	S.H.JANG	S.H.JANG	Y.T.KIM		SCALE : 1/10		TYPE : ASSY
'17.06.30	'17.06.30	'17.06.30	'17.06.30	TOLERANCES ARE : LINEAR : X ± 0.2 X ± 0.1 XX ± 0.01 ANGLES : ± 0.1° RADII UNLESS NOTED : R 0.3	DWG REV : 00	DWG(PART) NO. D46DFN_001	SIZE : A3
HYUNDAI IT CO., LTD.				MODEL NAME (CODE): D46DFN	CUSTOMER: HDIT	SHT NO : 1/1	
				FILE NAME : LAYOUT_D46DFN(KFN)_170630.DWG			