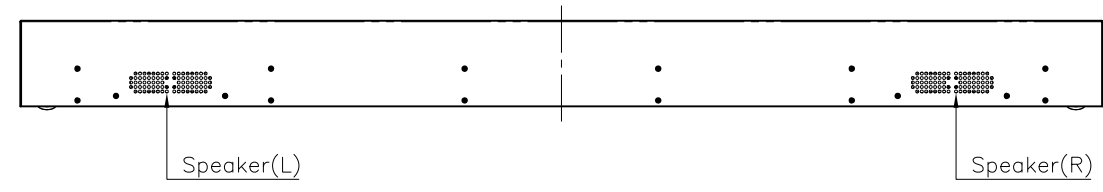
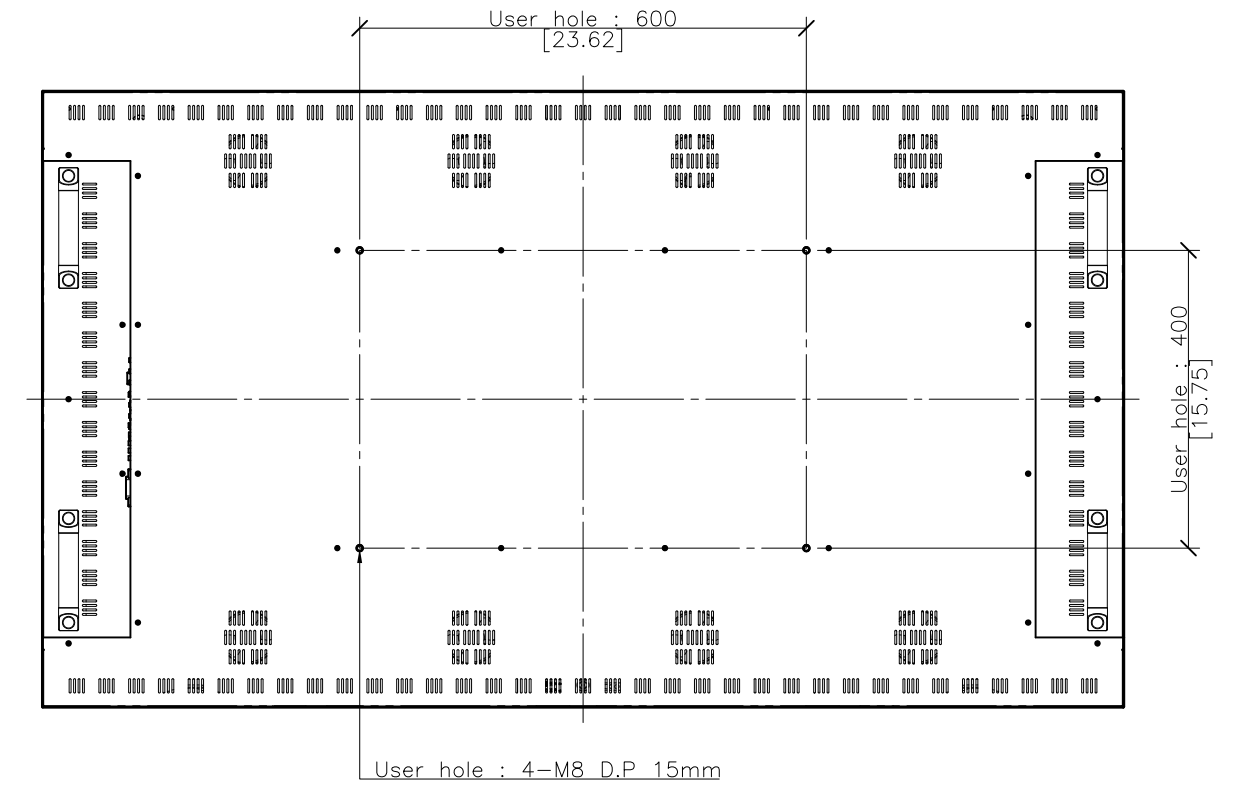
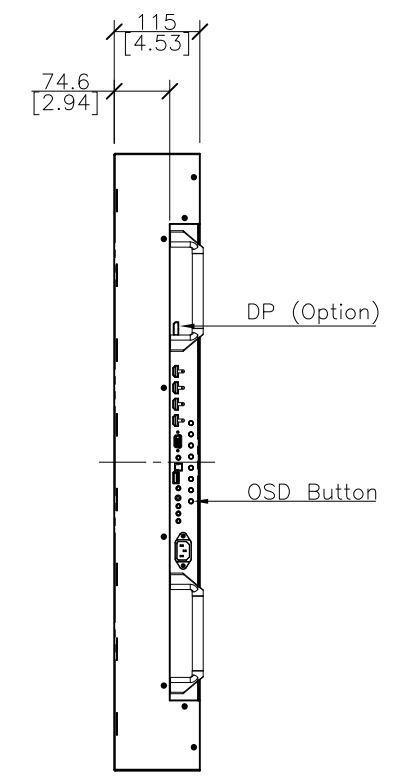
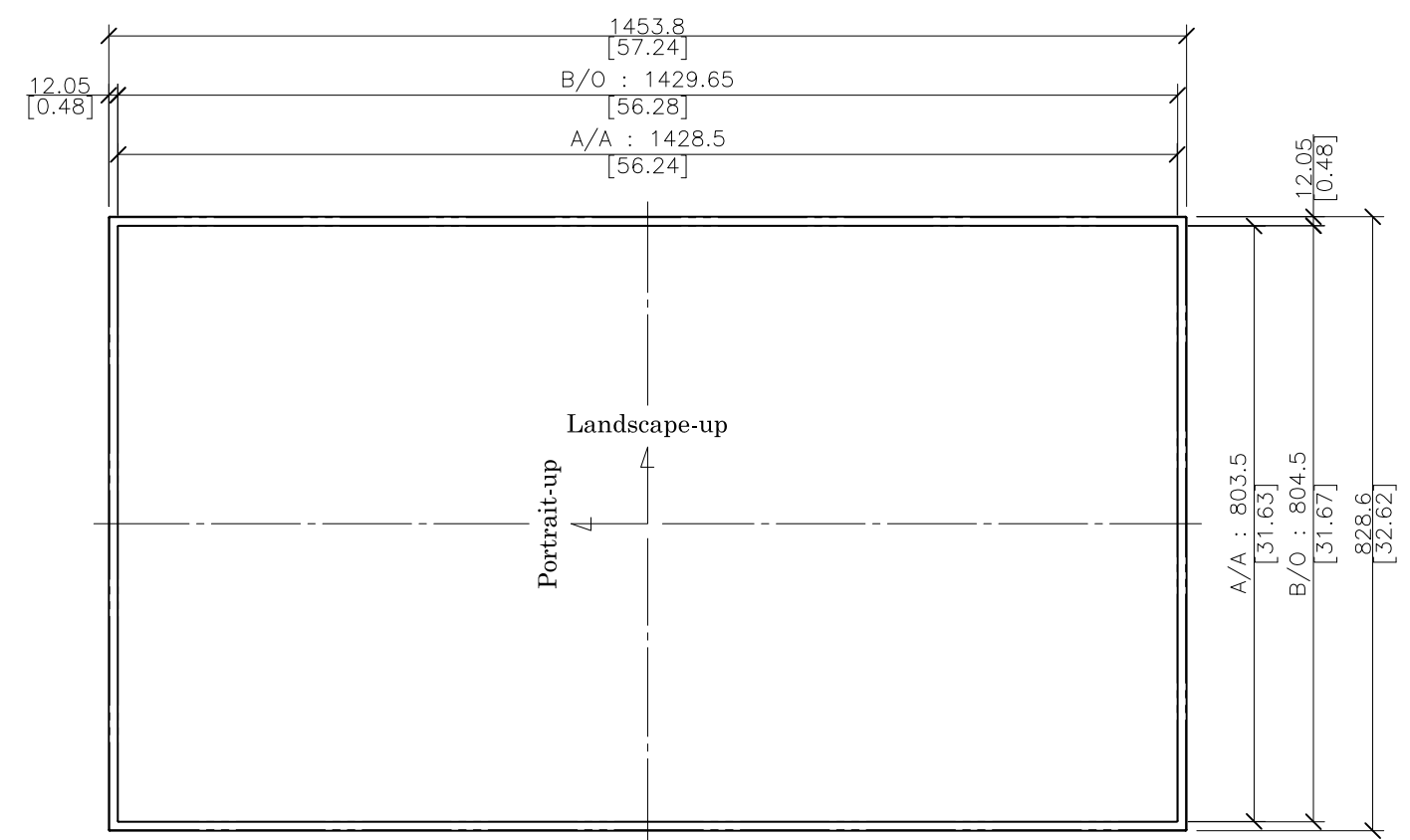
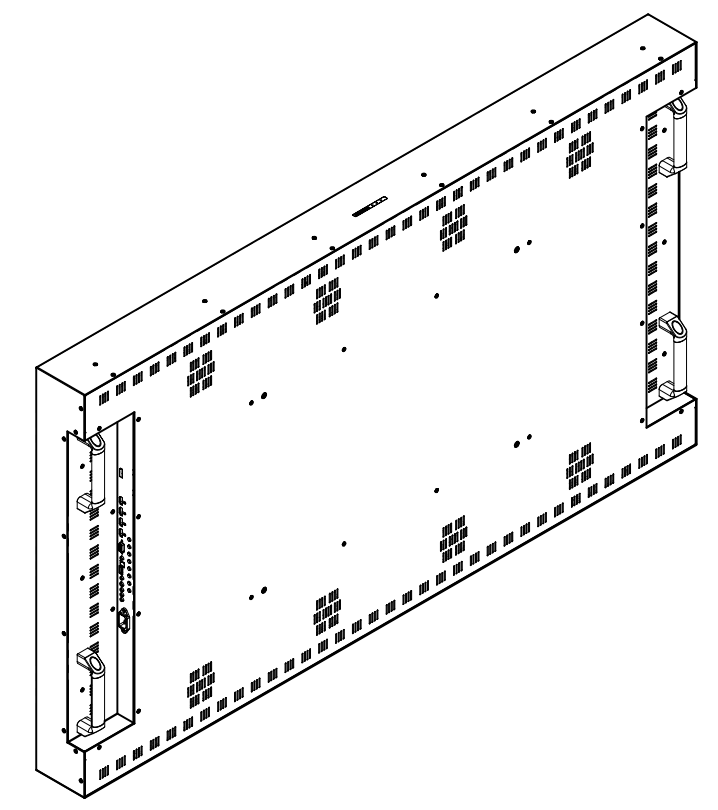
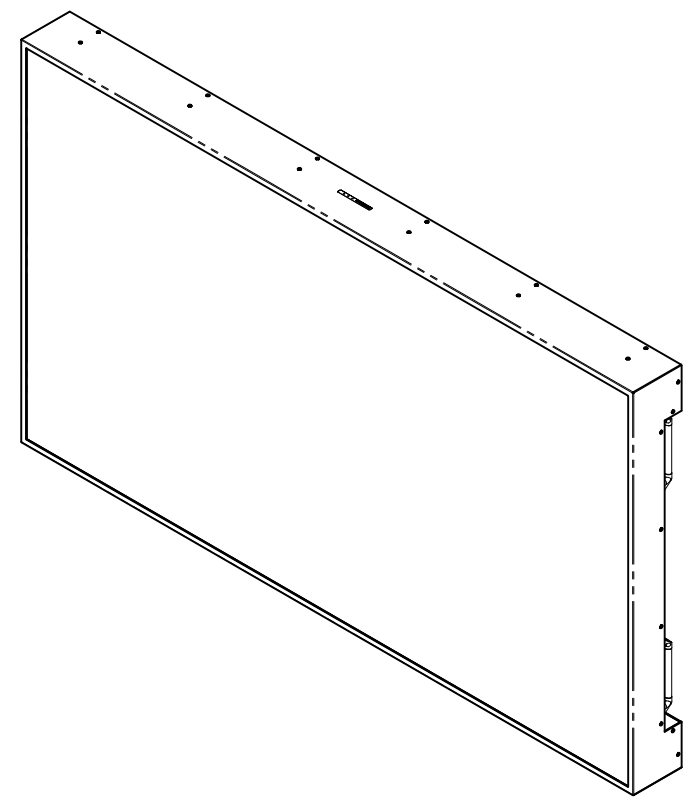
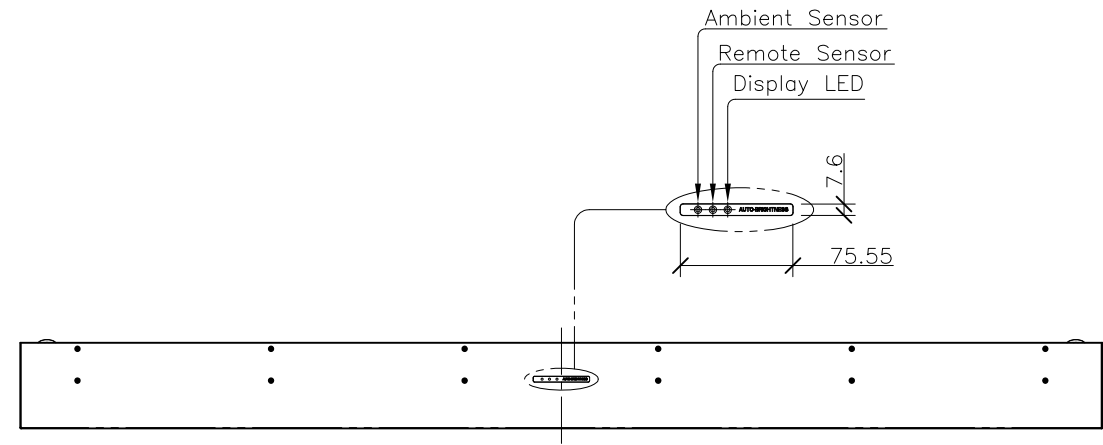


REV. NO		REV. HISTORY	LTR	ECO NO	DATE	APPR'L
DWG	PART					
00	00	INITIAL RELEASE	-	-	-	-



- NOTES.**
- LCD Panel : 65"
  - Material : E.G.I
  - Color : Black

DRAWN	PLANNED	CHECKED	APPROVED	UNLESS OTHERWISE SPECIFIED ALL DIMENSION ARE IN MILLIMETERS	ANGLE 3rd.	TITLE : D657MN EXTERIOR VIEW	UNIT : mm
S.W.SEO	S.H.JANG	S.H.JANG	Y.T.KIM		SCALE : 1/10		TYPE : PART
'17.06.28	'17.06.28	'17.06.28	'17.06.28	TOLERANCES ARE: LINEAR : X ± 0.20 X ± 0.1 XX ± 0.01 ANGLES : ± 0.1° RADI UNLESS NOTED : R 0.3		DWG(PART) NO. D657MN_001	SIZE : A2
<b>HYUNDAI IT CO.,LTD.</b>				MODEL NAME (CODE): D657MN	CUSTOMER: HDT	DWG REV : 00	
				FILE NAME : LAYOUT_D657MN_170628.DWG		SHT NO : 1/1	

This drawing is the property of HYUNDAI IT CO.,LTD. and should not be disclosed to any third party without prior permission of HYUNDAI IT CO.,LTD..