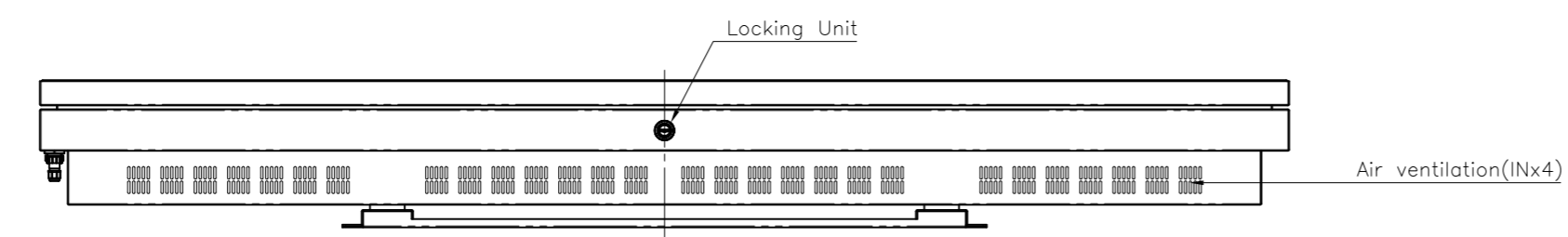
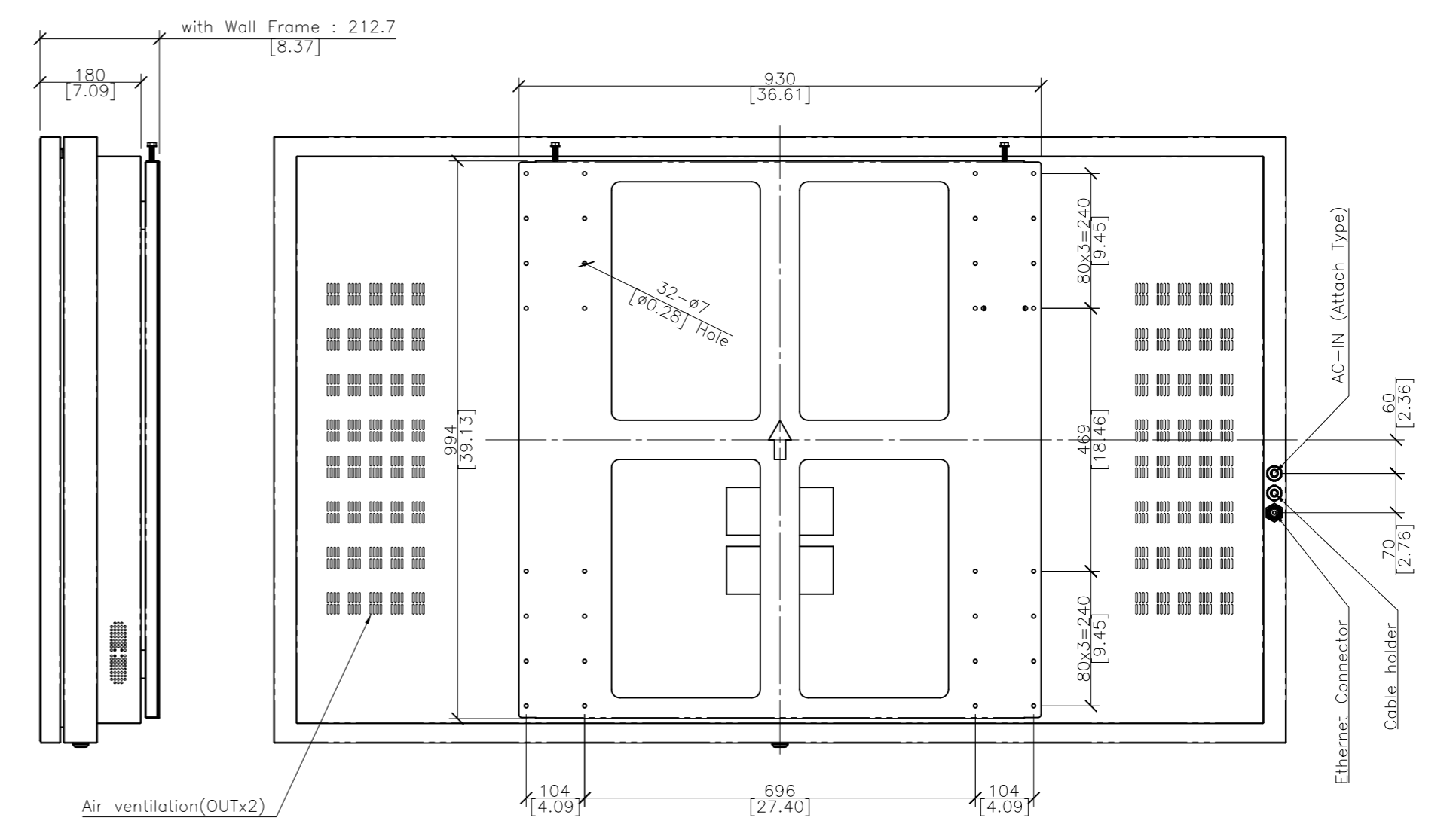
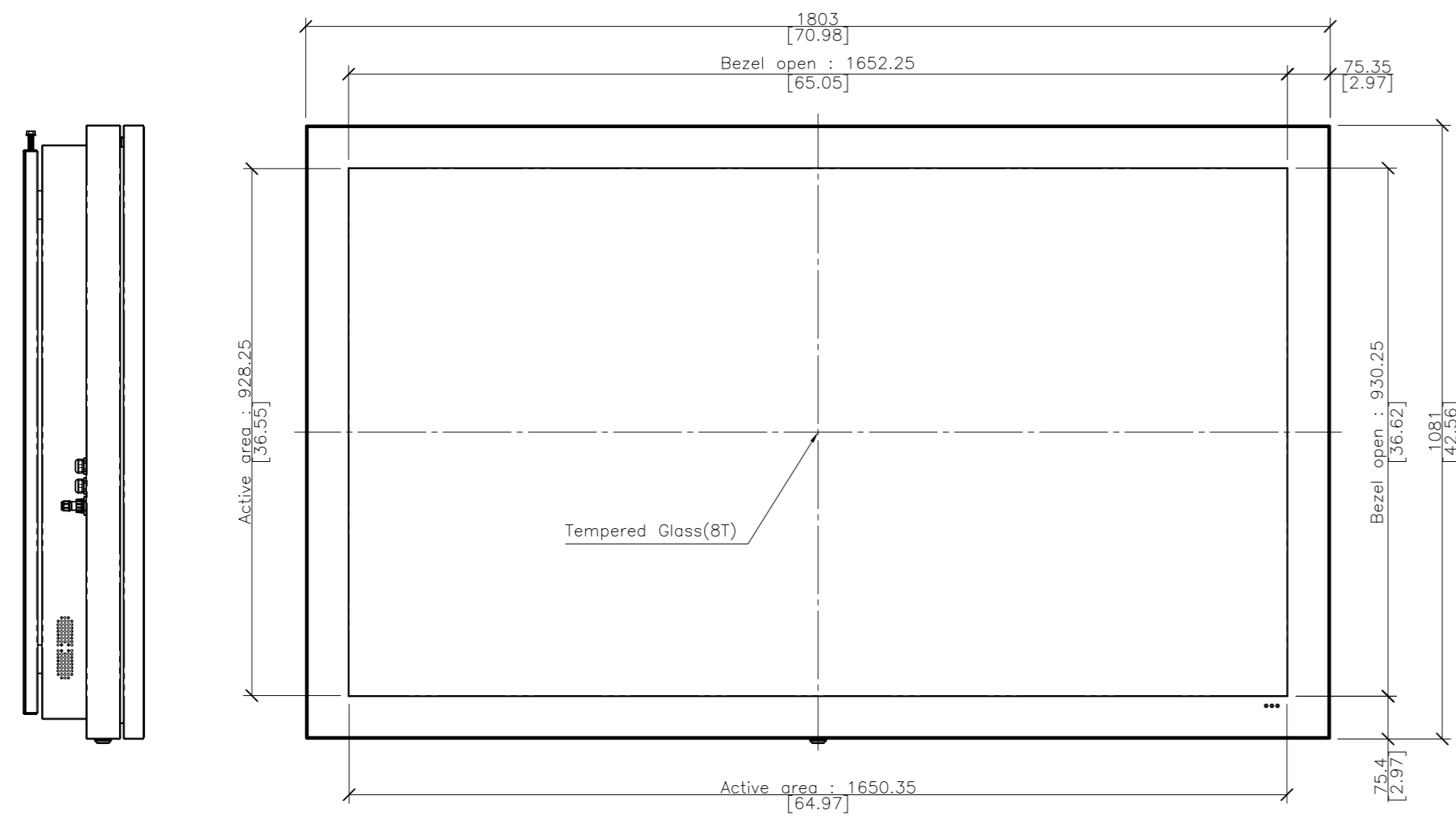
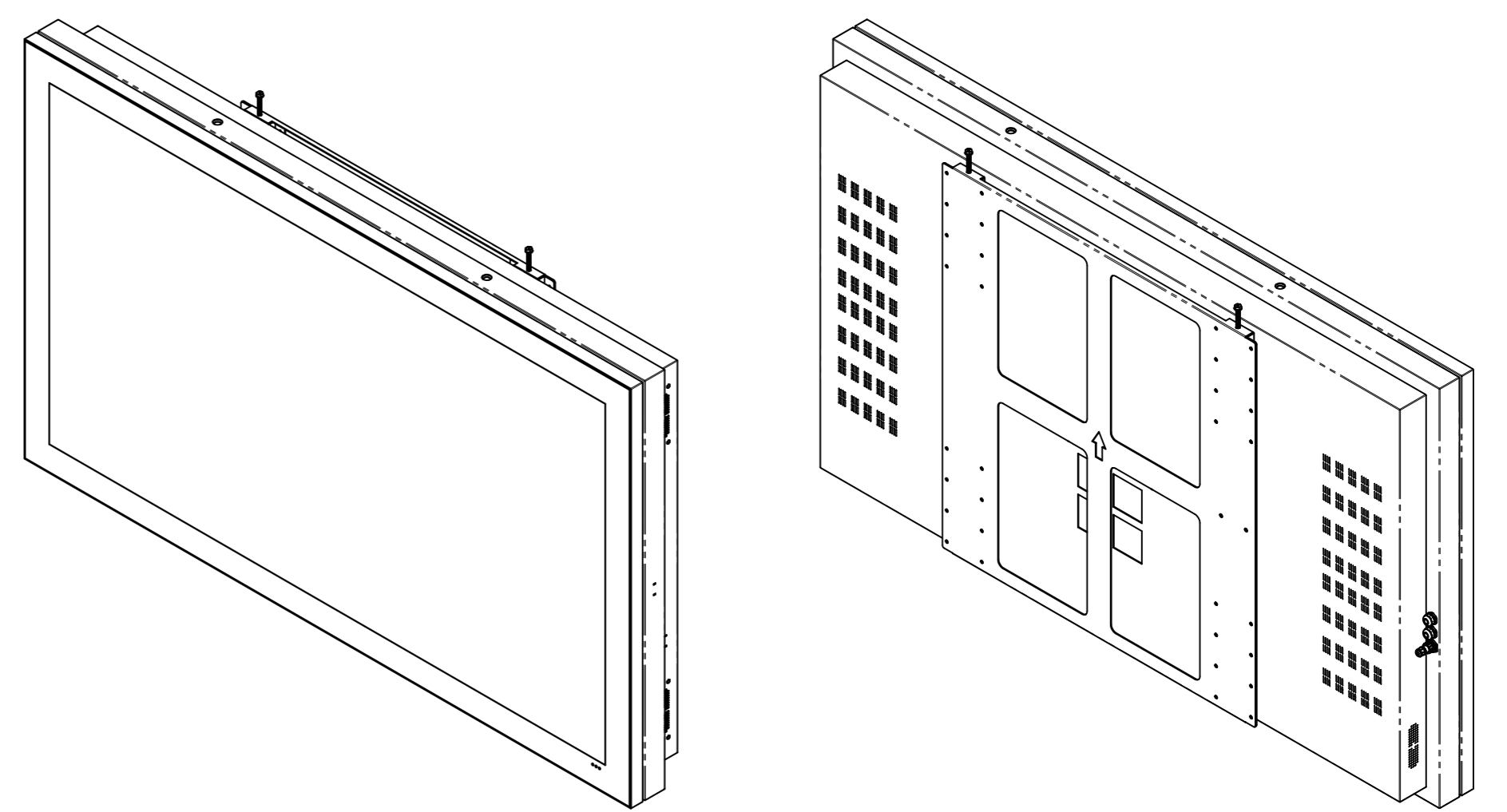
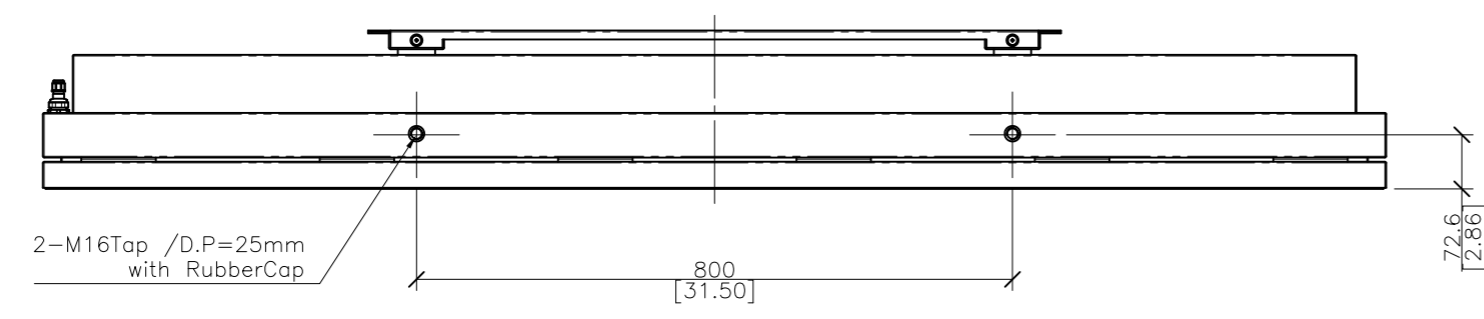


REV. NO		REV. HISTORY	LTR	ECO NO	DATE	APPR'L
DWG	PART					
00	00	INITIAL RELEASE	-	-	-	-

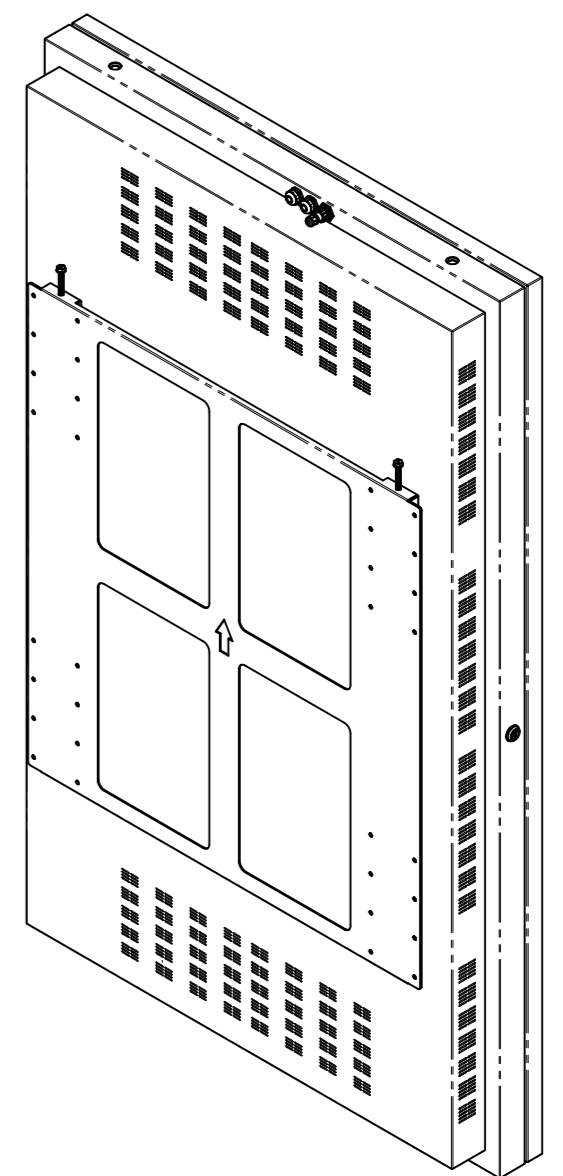
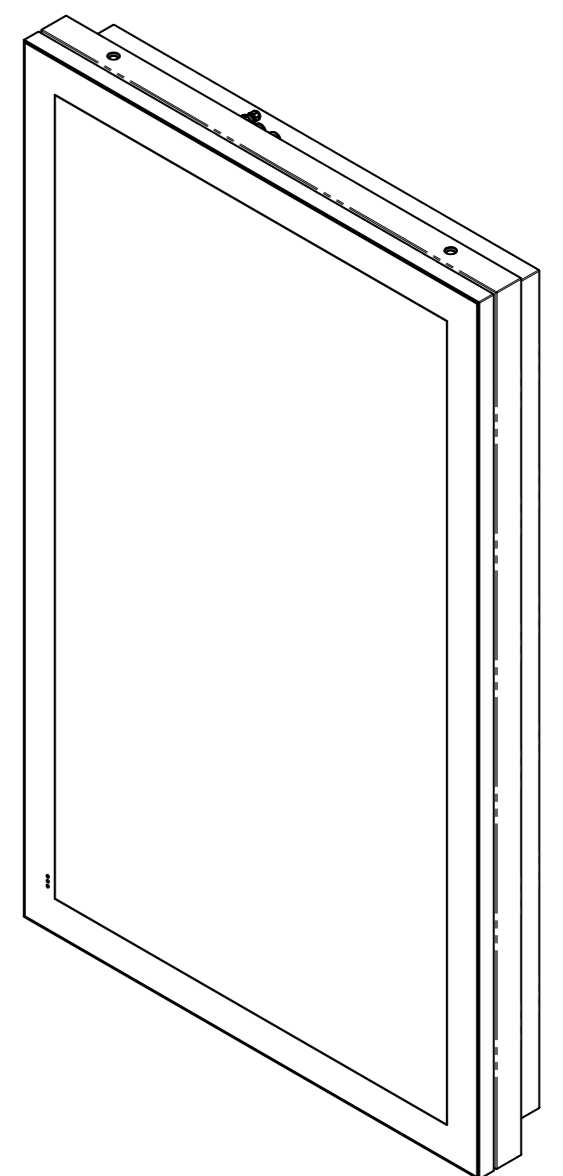
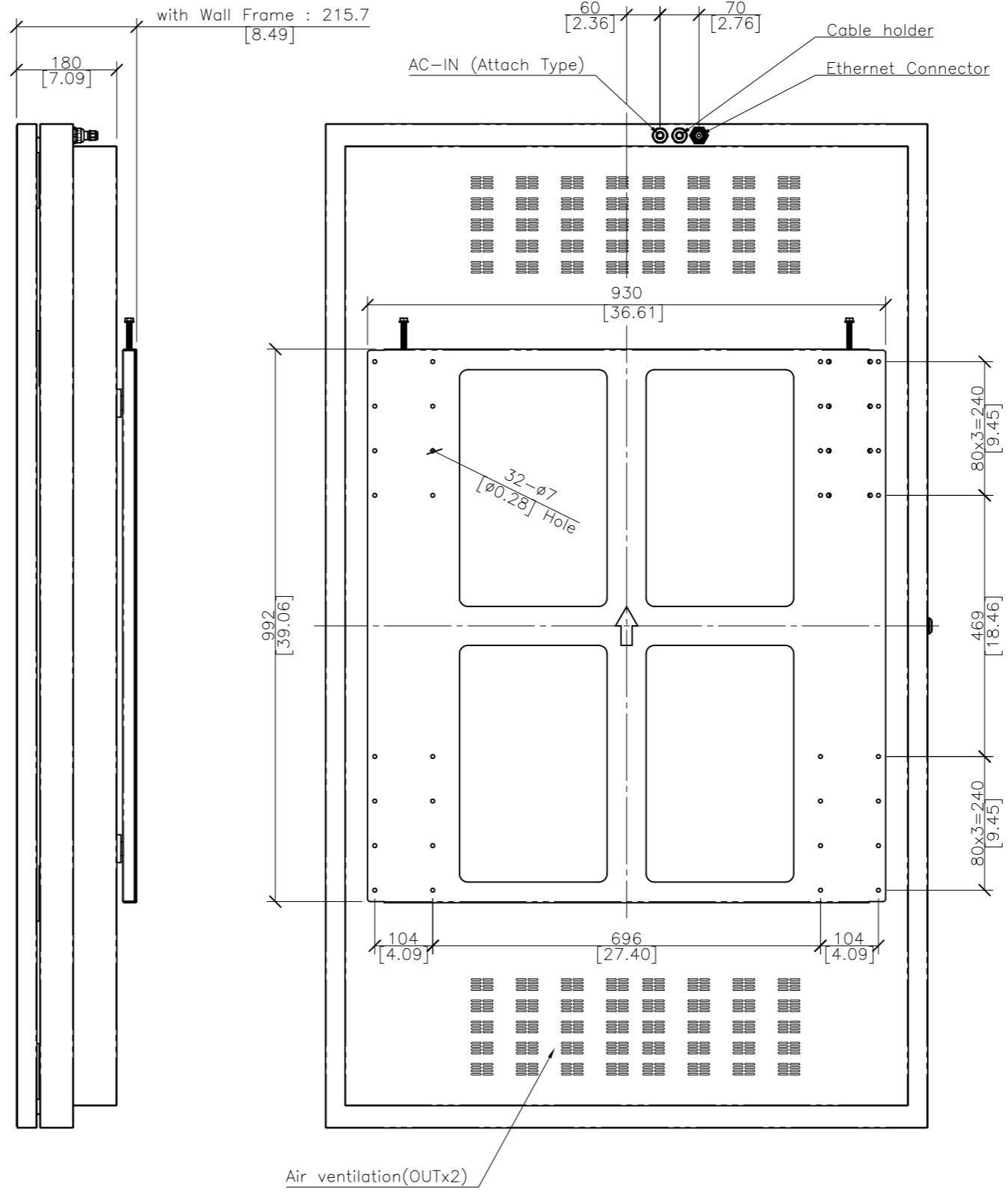
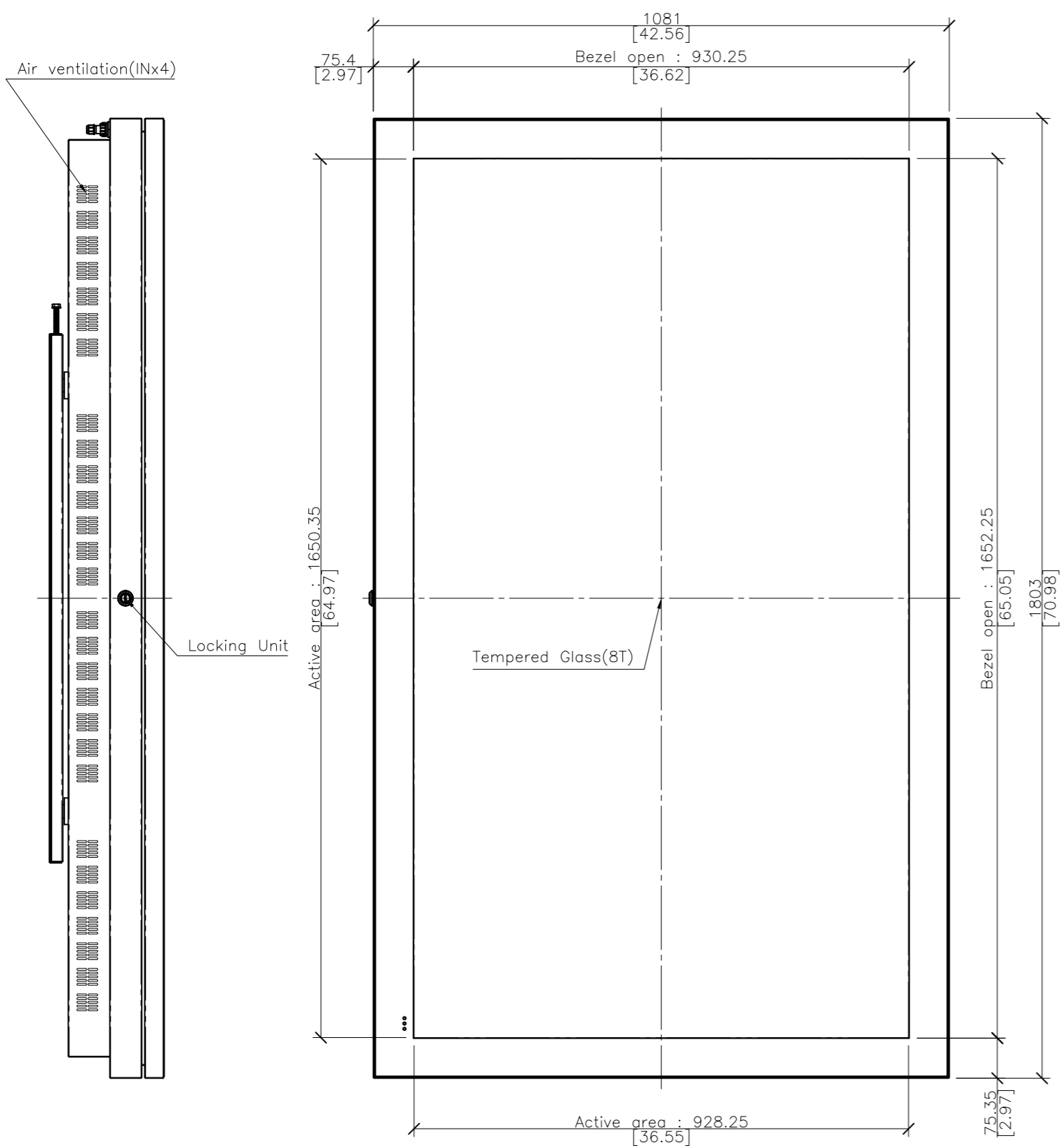
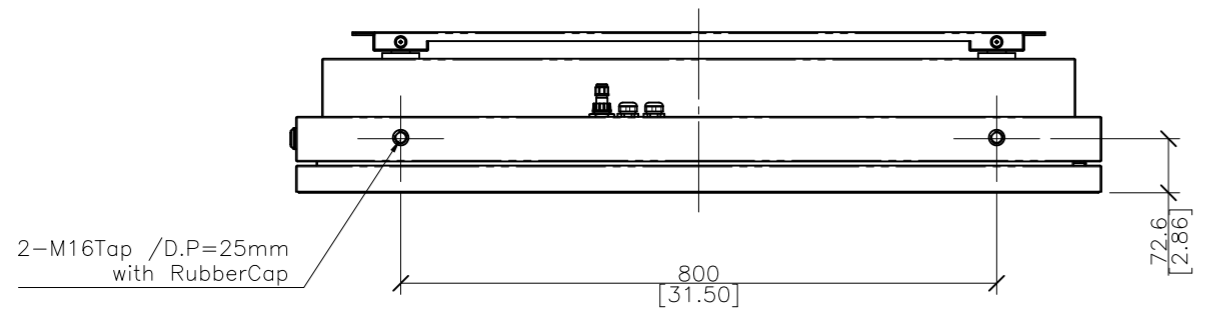


- NOTES.**
1. LCD Panel : 75"
 2. Material : E.G.I
 3. Cabinet Color : Black
 4. Tempered Glass : 8.0T (Single AR)
 5. STB Space : 240 x 220 x 63

DRAWN	PLANNED	CHECKED	APPROVED	UNLESS OTHERWISE SPECIFIED ALL DIMENSION ARE IN MILLIMETERS	ANGLE 3rd.	TITLE	UNIT : mm
S.H.JANG	S.H.JANG	S.H.JANG	Y.T.KIM	TOLERANCES ARE: LINEAR : X ± 0.20 X ± 0.1 XX ± 0.01 ANGLES : ± 0.1° RADIUS UNLESS NOTED : R 0.3	SCALE : 1/10	Q757MS(Landscape) EXTERIOR VIEW	TYPE : ASSY
'18.04.27	'18.04.27	'18.04.27	'18.04.27	MODEL NAME (CODE): Q757MS	CUSTOMER: HDIT	DWG REV : 00	SIZE : A2
HYUNDAI IT CO., LTD.				FILE NAME : LAYOUT_Q757MS_180427.DWG	SHT NO : 1/1	DWG(PART) NO. Q757MS_001	

This drawing is the property of HYUNDAI IT Corp. and should not be disclosed to any third party without prior permission of HYUNDAI IT Corp..

REV. NO		REV. HISTORY	LTR	ECO NO	DATE	APPR'L
DWG	PART					
00	00	INITIAL RELEASE	-	-	-	-



- NOTES**
1. LCD Panel : 75"
 2. Material : E.G.I
 3. Cabinet Color : Black
 4. Tempered Glass : 8.0T (Single AR)
 5. STB Space : 240 x 220 x 63

DRAWN	PLANNED	CHECKED	APPROVED	UNLESS OTHERWISE SPECIFIED ALL DIMENSION ARE IN MILLIMETERS	ANGLE 3rd.	TITLE :	UNIT : mm
S.H.JANG	S.H.JANG	S.H.JANG	Y.T.KIM	TOLERANCES ARE: LINEAR : X ± 0.20 X ± 0.1 XX ± 0.01 ANGLES : ± 0.1° RADIUS UNLESS NOTED : R 0.3	SCALE : 1/10	Q757MS(Portrait) EXTERIOR VIEW	TYPE : ASSY
'18.04.27	'18.04.27	'18.04.27	'18.04.27	MODEL NAME (CODE): Q757MS	CUSTOMER: HDT	DWG REV : 00	DWG(PART) NO. Q757MS_001
HYUNDAI IT CO., LTD.				FILE NAME : LAYOUT_Q757MS_180427.DWG	SHT NO : 1/1	SIZE : A2	

This drawing is the property of HYUNDAI IT Corp. and should not be disclosed to any third party without prior permission of HYUNDAI IT Corp..