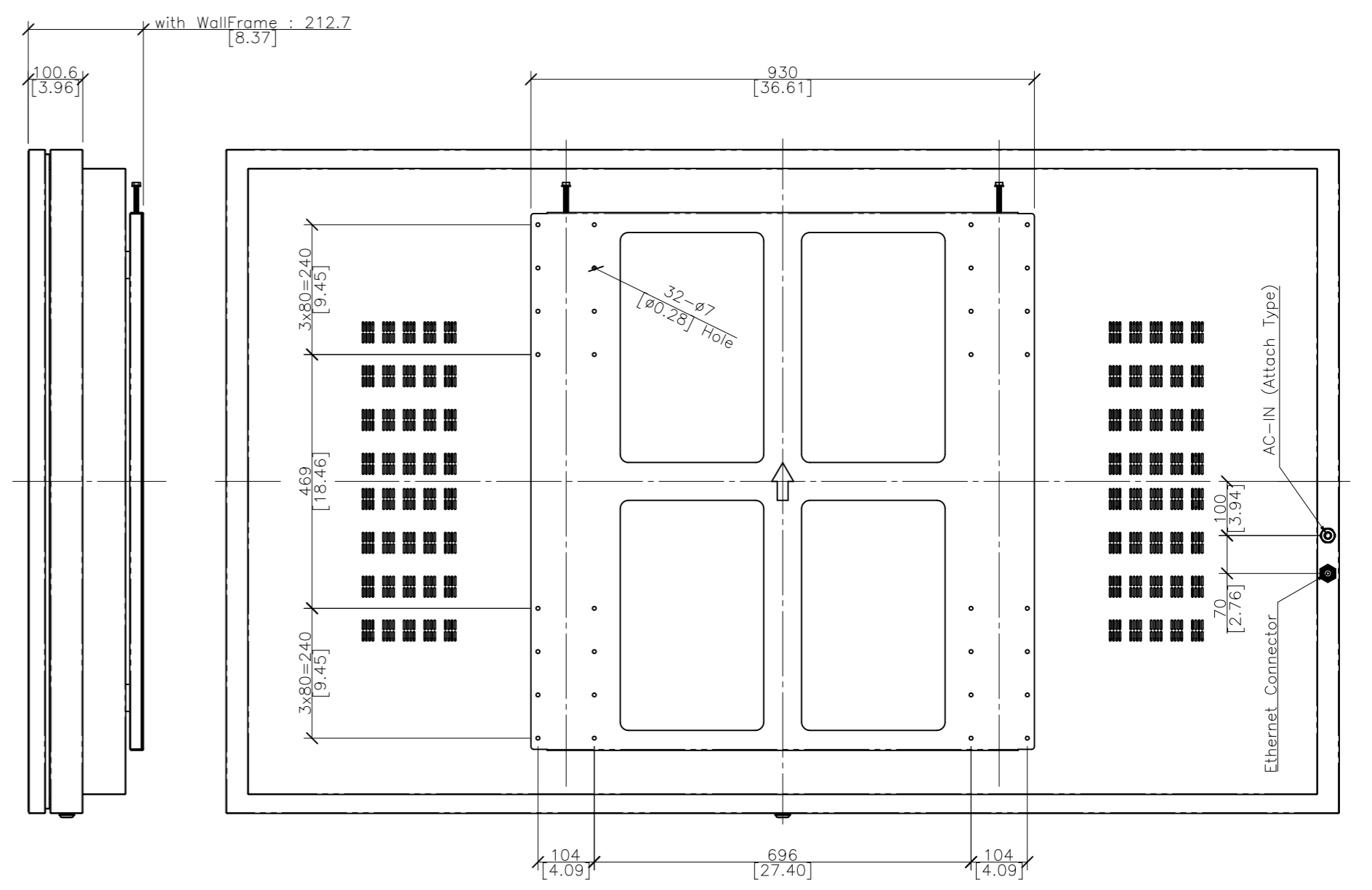
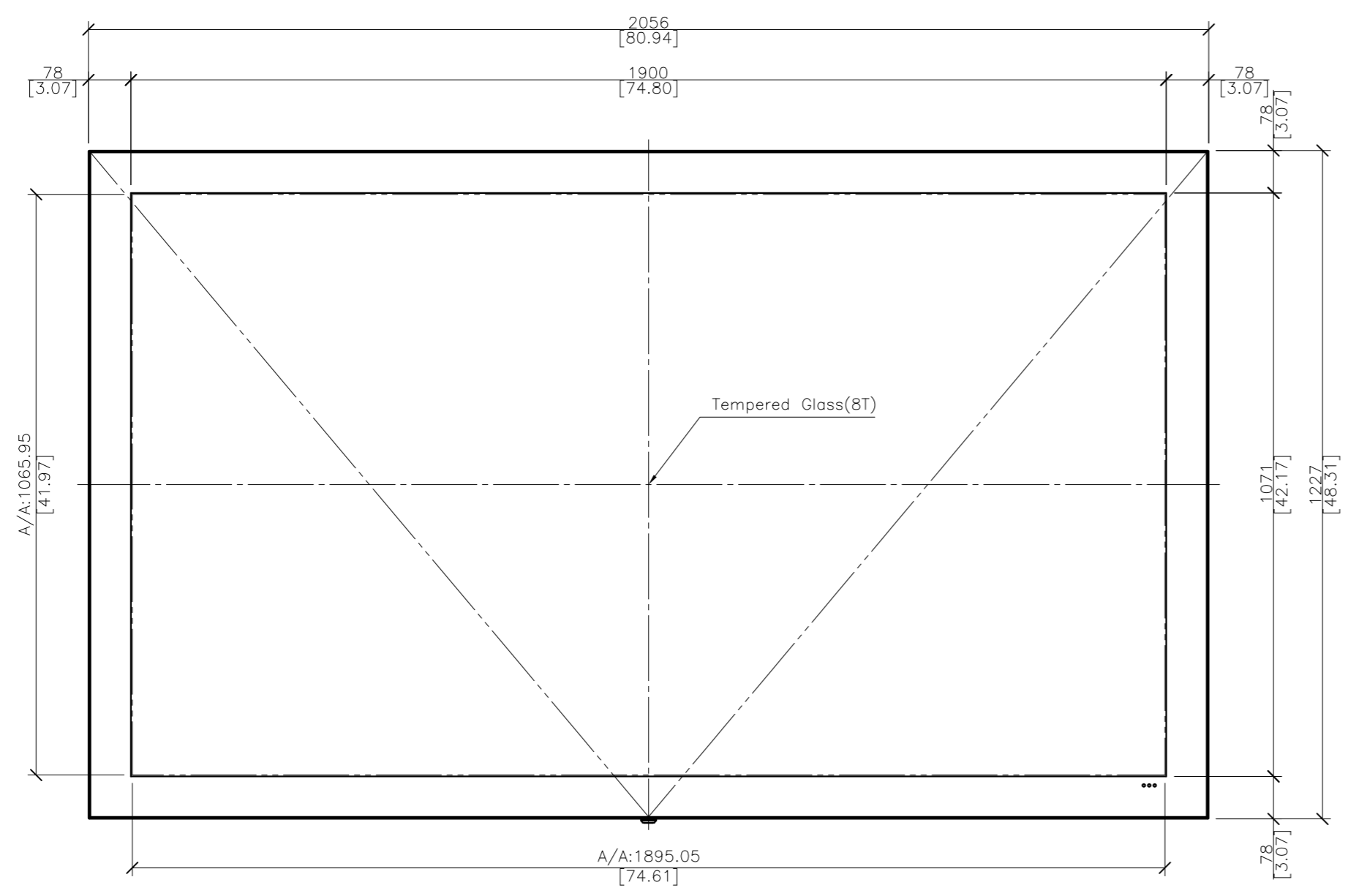
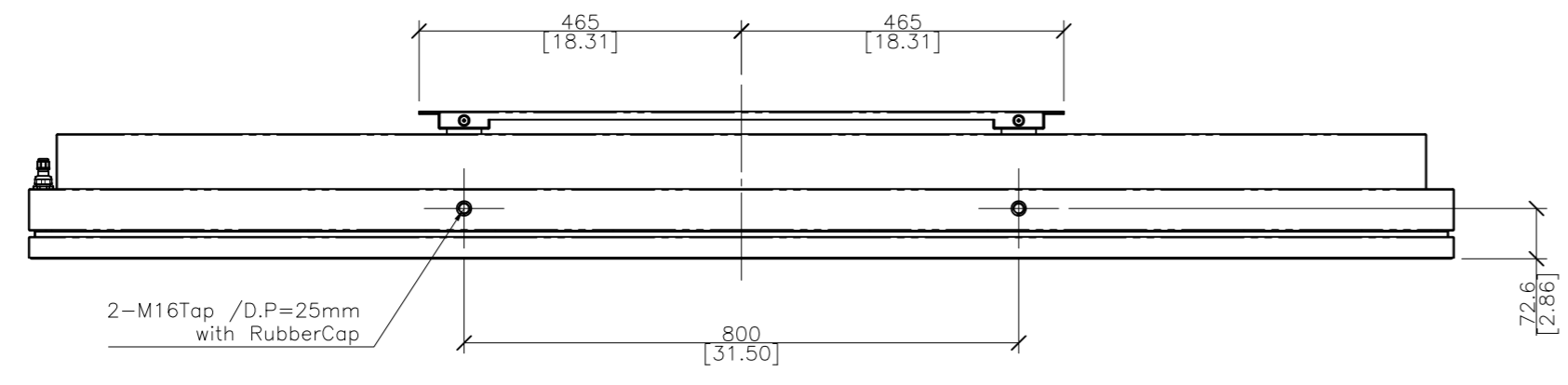


REV. NO		REV. HISTORY	LTR	ECO NO	DATE	APPR'L
DWG	PART					
00	00	INITIAL RELEASE	-	-	-	-



**NOTES**

1. LCD Panel : 75"
2. Material : E.G.I
3. Cabinet Color : Black
4. Tempered Glass : 8.0T (Single AR)

This drawing is the property of HYUNDAI IT Corp. and should not be disclosed to any third party without prior permission of HYUNDAI IT CO., LTD.

DRAWN	PLANNED	CHECKED	APPROVED	UNLESS OTHERWISE SPECIFIED ALL DIMENSION ARE IN MILLIMETERS	ANGLE 3rd.	TITLE : Q867MS (Landscape) EXTERIOR VIEW	UNIT : mm
S.H.JANG	S.H.JANG	S.H.JANG	Y.T.KIM		SCALE : 1/10		TYPE : ASSY
'17.04.17	'17.04.17	'17.04.17	'17.04.17	TOLERANCES ARE : LINEAR : X ± 0.20 X ± 0.1 XX ± 0.01 ANGLES : ± 0.1° RADIUS UNLESS NOTED : R 0.3	DWG REV : 00	DWG(PART) NO. Q867MS_001	SIZE : A2
HYUNDAI IT CO., LTD.							
				FILE NAME : LAYOUT_Q867MS_170414.DWG			