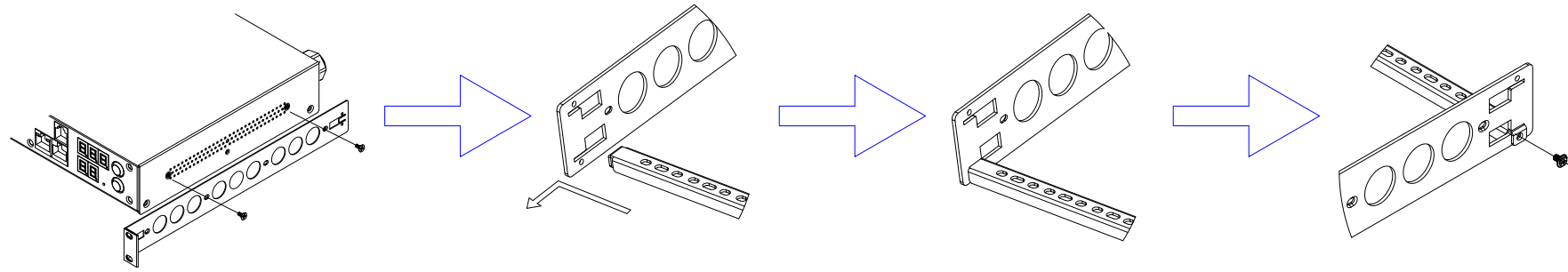
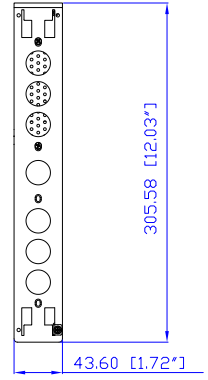


IEC309 16A/250V  
P+N+PE

VIEW A



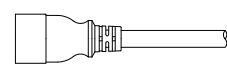
VIEW B



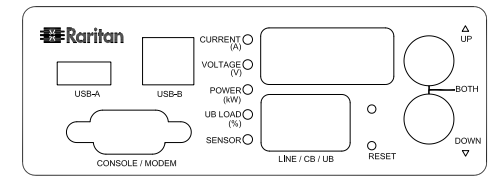
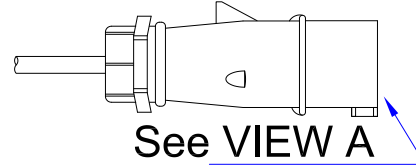
Rear



IEC60320 C19

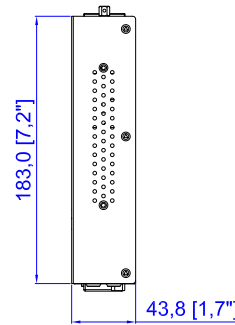
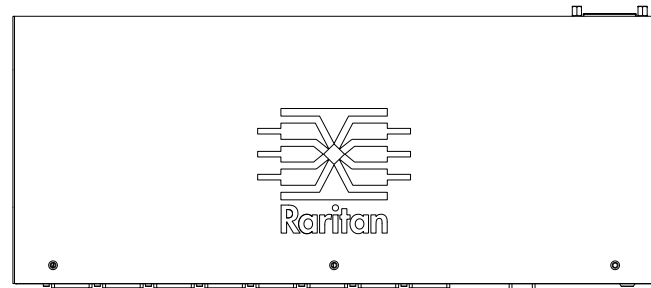


IEC309 16A/250V  
P+N+PE

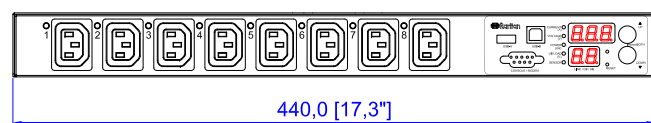


VIEW C

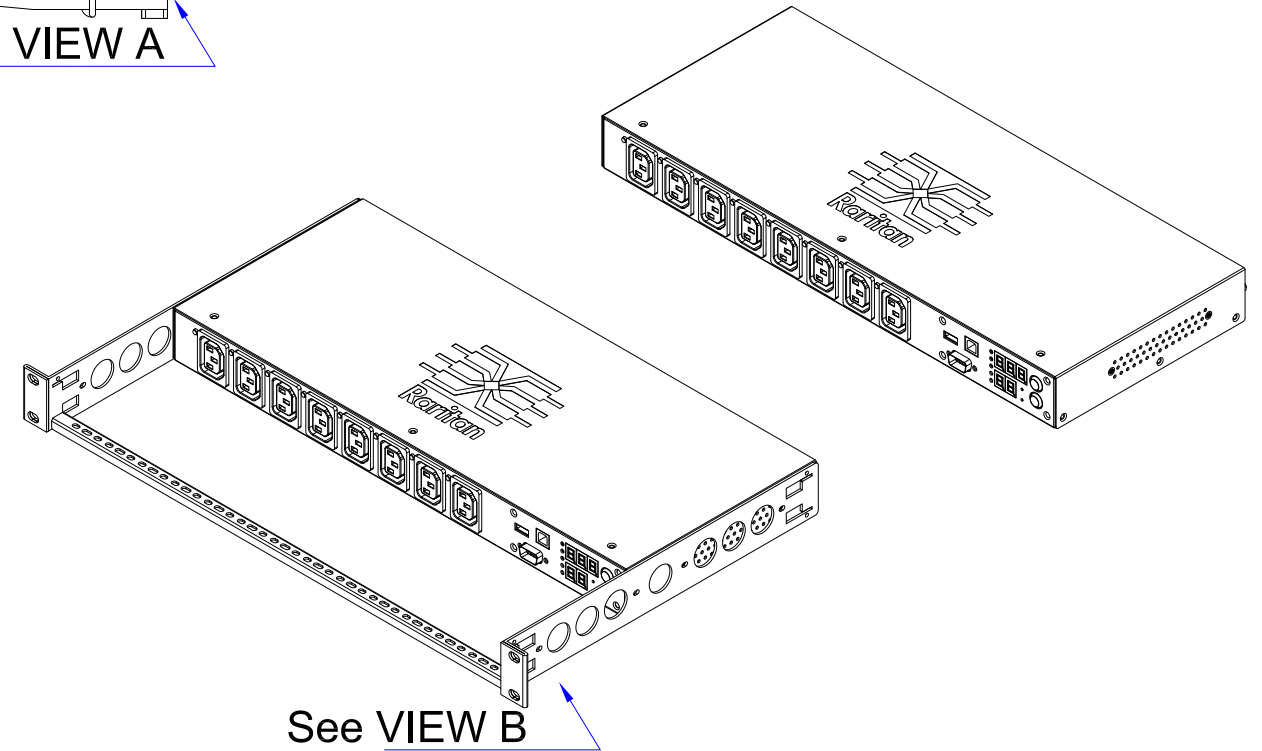
TOP



Front



See VIEW C



See VIEW B

NOTES:  
ALL DIMENSIONS ARE MILLIMETERS[INCHES].

 www.raritan.com		PROJECTION THIRD ANGLE	DO NOT SCALE DRAWING	TITLE: iPDU One U, Single Phase, 16A/200-240V Input: IEC60320 C20 , Output (8)IEC320 C13
			SHEET 1 OF 1	
DRAWN : Eva LIN	Mar. 16, 2011	THIS DRAWING AND SPECIFICATIONS HEREIN ARE THE PROPERTY OF RARITAN, INC. AND SHALL NOT BE COPIED, REPRODUCED OR USED, IN WHOLE OR IN PART, AS THE BASIS FOR THE MANUFACTURE OR SALE OF ITEMS WITHOUT WRITTEN PERMISSION FROM RARITAN, INC. THIS DRAWING IS BASED UPON LATEST AVAILABLE INFORMATION AND IS SUBJECT TO CHANGE WITHOUT NOTICE.		DWG NO.
ENGINEER: Sam	Mar. 16, 2011			MPX2-2190R
APPROVED: Kevin_C	Mar. 16, 2011			REV. A